

Portable HAWK System

For temporary midblock crossings.

Quick and easy installation of pedestrian crosswalks

Permanent HAWK systems have been increasingly popular across the United States in recent years and have proven to be a safe and effective solution for midblock crossings in urban areas and for events. But despite the increased acceptance and adoption of these systems, a reliable temporary HAWK system was not available -- until now.

Our Portable HAWK system adopts the proven HAWK technology and takes it to the next level to allow for fast deployment, portability, and ease of use. The device is effective for the motorist, safer for the pedestrian and far less costly to install than permanent HAWK systems.

100 MPH Wind Load
(3rd Party Verified)

25-year design life



Specifications

| | |
|-----------------------------|----------------------------|
| Signal Lamp | 12" (300 mm) diameter LED |
| Signal Arm Extension | 68 to 180" (173 to 457 cm) |
| Solar Charge | 600W min |
| Power Source | 12V / (16) 6V batteries |
| Tow Height | 89" (226 cm) |
| Trailer Width | 85" (216 cm) |
| Trailer Weight | 3,500 lb. (1587 kg) |

Portable HAWK System features

- Heavy-duty trailer with 25-year design life
- Pedestrian pushbutton actuation
- Dual-Processor Malfunction Management System
- Withstands sustained winds of 100 mph, gusts up to 110 mph
- 10-year structural warranty on trailer
- Lifting Ring for easy signal placement
- Hydraulic lift system
- 30 days run time on batteries alone
- Tandem-tow trailers
- MUTCD Compliant

Available options

Video Monitoring — PTZ camera gives a live look at traffic with resolutions up to full 1080 HD, and up to 60 frames per second.

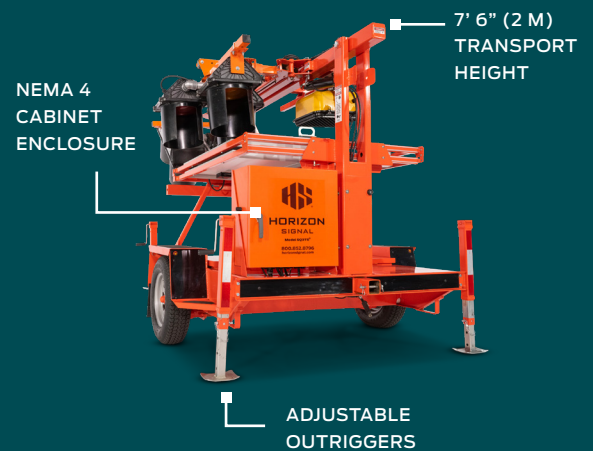
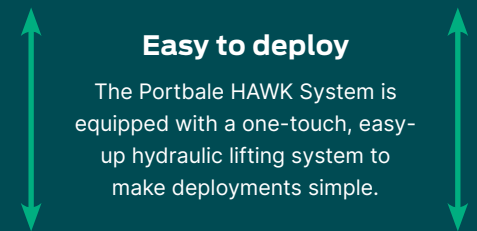
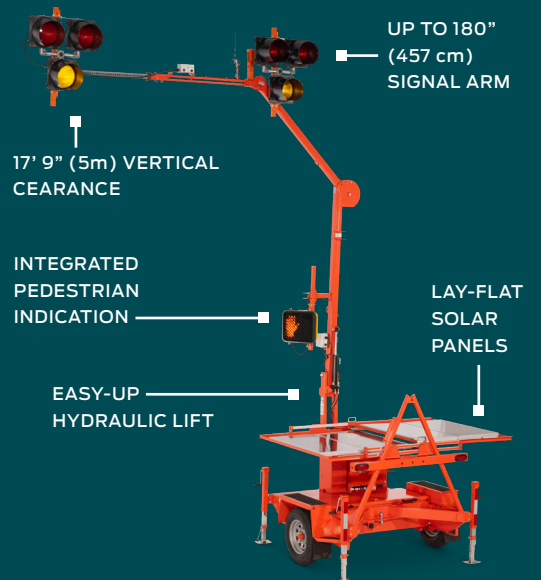
15-Foot Extension arm — Longer extension arm for greater horizontal reach on SQ3TS trailer. Ideal for 2-lane applications.

Advanced Remote Monitoring — Receive text and/or email alert notifications of signal operation and battery voltage levels.

Remote Access Management — Monitor signal operation and make timing changes remotely via the internet.

Vehicle Detection — Motion sensors or video detection systems allow for customized HAWK operation.

Work Zone Luminaire — Illuminate the pedestrian crosswalk for increased safety during nighttime operations.



Distributed by



HORIZON
SIGNAL

CONTACT US

800.852.8796
horizonsignal.com
5 Corporate Blvd
Reading, PA 19608

REGIONAL SUPPORT CENTERS

Philadelphia, PA
Albuquerque, NM
Birmingham, AL
Chicago, IL
Fargo, ND
Indianapolis, IN
Orlando, FL
St. Catharines, ON
Waco, TX
Santiago, Chile

Advancing
work zone safety



ISO 9001:2015 Certified Quality Management System
Certified by SRI Registrar