



# Cart-Mounted AFAD

## Increases safety for flaggers

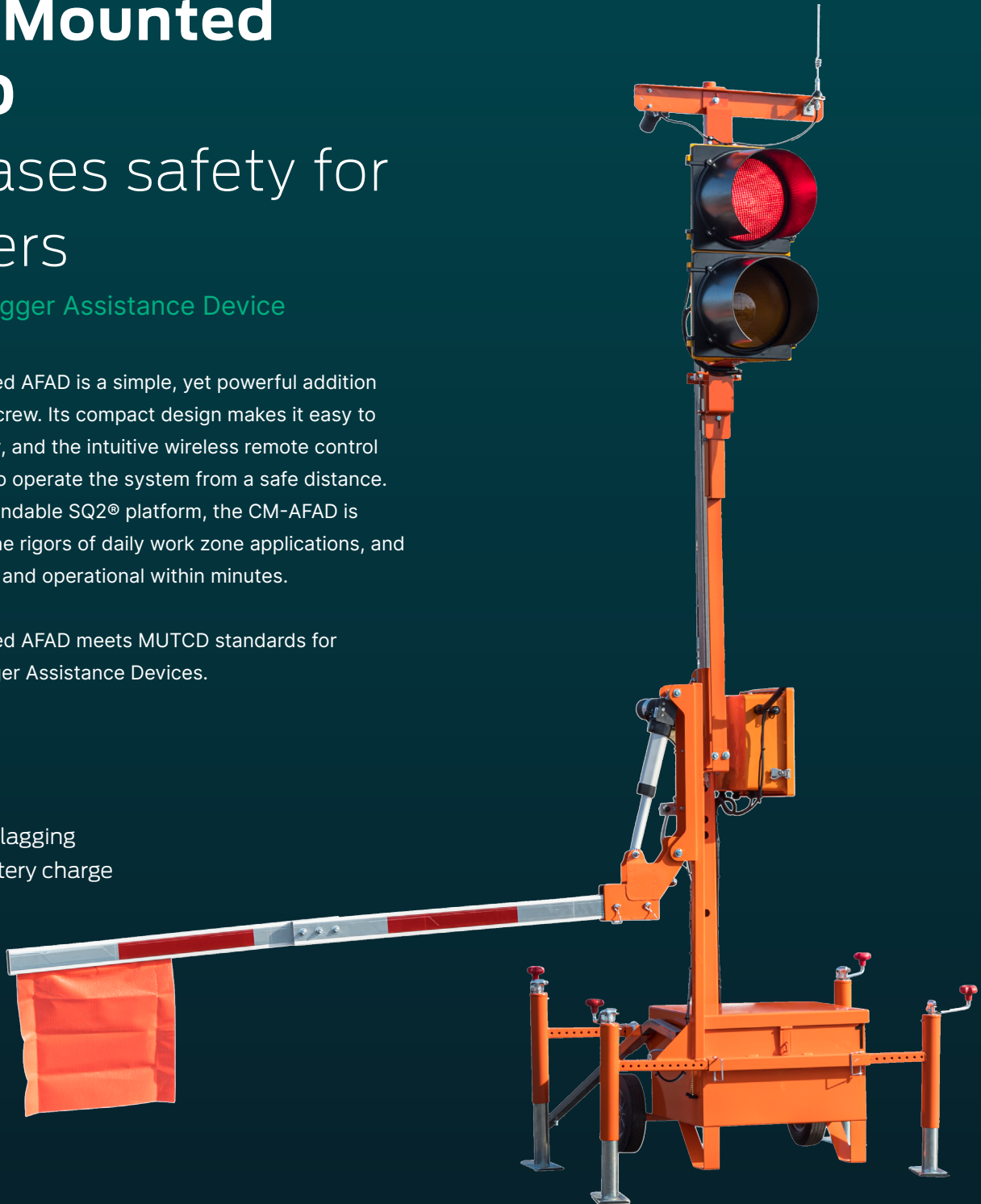
### Compact Flagger Assistance Device

The Cart-Mounted AFAD is a simple, yet powerful addition to your flagging crew. Its compact design makes it easy to move and deploy, and the intuitive wireless remote control allows the user to operate the system from a safe distance. Built on our dependable SQ2® platform, the CM-AFAD is engineered for the rigors of daily work zone applications, and can be deployed and operational within minutes.

The Cart-Mounted AFAD meets MUTCD standards for Automated Flagger Assistance Devices.

---

A full week of flagging  
on a single battery charge



## Specifications

<b>Signal Indications</b>	12" (300 mm) diameter LED
<b>Power Source</b>	12V / (2) 12V batteries
<b>Operating Height</b>	96" (244 cm)
<b>Cart Footprint</b>	31 × 25.5" (79 × 65 cm)
<b>Weight</b>	435 lbs.

## Cart-Mounted AFAD features

- Folding and removable gate arm for convenient transport
- 45-amp battery charger included standard
- Rechargeable wireless remote control with 15-20 hours battery life
- Standard AA battery backup on remote
- Real-time graphical interface of AFAD operation and status
- Convenient pushbutton operation
- A full week of flagging on a single battery charge
- Reflectorized gate arm
- MUTCD Compliant

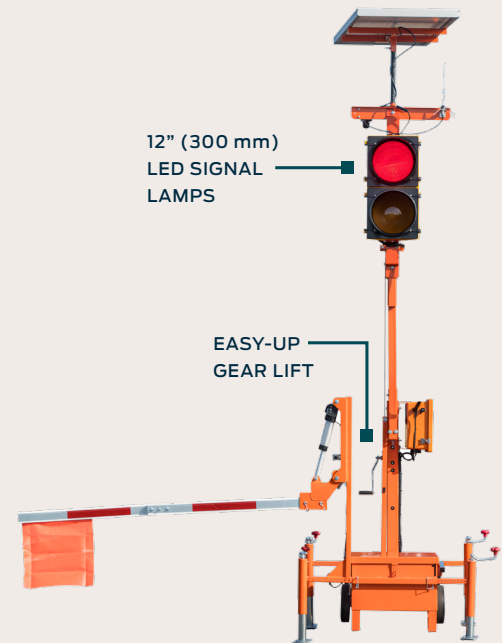
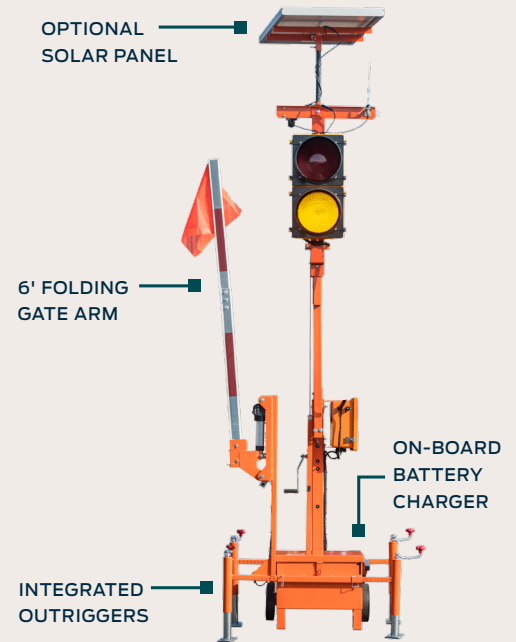
## Available options

**Solar Charging Kit** — 150 watt solar panel for increased battery life and longer run times.

**Clearance Extender** — Automatically adjusts red clearance intervals to accommodate slow-moving vehicles.

**Video Monitoring** — PTZ camera gives a live look at traffic with resolutions up to full 1080 HD, and up to 60 frames per second.

**Advanced Remote Monitoring** — Receive text and/or email alert notifications of AFAD operation and battery voltage levels.



Distributed by



**HORIZON**  
SIGNAL

### CONTACT US

800.852.8796  
horizonsignal.com

5 Corporate Blvd  
Reading, PA 19608

### REGIONAL SUPPORT CENTERS

Philadelphia, PA  
Albuquerque, NM  
Birmingham, AL  
Chicago, IL  
Fargo, ND

Indianapolis, IN  
Orlando, FL  
St. Catharines, ON  
Waco, TX  
Santiago, Chile

**Advancing  
work zone safety**



ISO 9001:2015 Certified Quality  
Management System